

PAD	CONNECTION
1	Enable / disable or Not connected
2	Not connected
3	Ground
4	Output 1
5	Output 2
6	Supply

Scale 2:1

## Specifications

Parameters	Variant		Option Codes
	L	J	
<b>Frequency range:</b> 100 ~ 165MHz	<input checked="" type="checkbox"/>	<input checked="" type="checkbox"/>	
<b>Frequency stability*:</b> ±100ppm ±50ppm ±25ppm	<input checked="" type="checkbox"/> <input type="checkbox"/> <input type="checkbox"/>	<input checked="" type="checkbox"/> <input type="checkbox"/> <input type="checkbox"/>	B A
<b>Operating temperature range:</b> -10 to +70°C -40 to +85°C	<input checked="" type="checkbox"/> <input type="checkbox"/>	<input checked="" type="checkbox"/> <input type="checkbox"/>	I
<b>Storage temperature range:</b> -40 to +85°C	<input checked="" type="checkbox"/>	<input checked="" type="checkbox"/>	
<b>Supply voltage (V<sub>DD</sub>):</b> +3.3V (±5%) +2.5V (±5%)	<input checked="" type="checkbox"/>	<input checked="" type="checkbox"/>	
<b>Supply current:</b> 90mA max, 60mA typ	<input checked="" type="checkbox"/>	<input checked="" type="checkbox"/>	
<b>Output:</b> Complementary LV-PECL	<input checked="" type="checkbox"/>	<input checked="" type="checkbox"/>	
<b>Output load:</b> 50Ω (into V <sub>DD</sub> -2V)	<input checked="" type="checkbox"/>	<input checked="" type="checkbox"/>	
<b>Logic levels:</b> '0' level (max) '1' level (min)	1.745V 2.215V	1.195V 1.415V	
<b>Start up time:</b> 10ms max	<input checked="" type="checkbox"/>	<input checked="" type="checkbox"/>	
<b>Waveform symmetry:</b> 45:55 max @ 50%V <sub>p-p</sub> 40:60 max @ 50%V <sub>p-p</sub>	<input checked="" type="checkbox"/>	<input checked="" type="checkbox"/>	
<b>Rise / fall time:</b> 1.0ns max (20 ~ 80%V <sub>p-p</sub> )	<input checked="" type="checkbox"/>	<input checked="" type="checkbox"/>	
<b>Enable / disable function:</b> Tristate (control via pad 1) None (pad 1 not connected)	<input checked="" type="checkbox"/> <input type="checkbox"/>	<input checked="" type="checkbox"/> <input type="checkbox"/>	N
<b>Output enable / disable time:</b> 2ms / 200ns max	<input checked="" type="checkbox"/>	<input checked="" type="checkbox"/>	
<b>Stand-by current:</b> 30µA max	<input checked="" type="checkbox"/>	<input checked="" type="checkbox"/>	
<b>Period jitter RMS:</b> 5ps max, 3ps typ	<input checked="" type="checkbox"/>	<input checked="" type="checkbox"/>	
<b>Ageing:</b> ±5ppm max, 1st year	<input checked="" type="checkbox"/>	<input checked="" type="checkbox"/>	

Standard.  Optional - Please specify required code(s) when ordering

\* Frequency stability is inclusive of calibration @ 25°C, operating temperature range, supply voltage change and load change.

## Features

- ▶ Differential outputs
- ▶ Enable / disable tristate option
- ▶ Fast rise / fall times
- ▶ Designed for SONET, SDH, IEEE1394 etc

## Standard Frequencies

Frequencies in MHz	
100.0000	155.5200
106.2500	156.2500
108.0000	161.1230
125.0000	164.3550
133.0000	

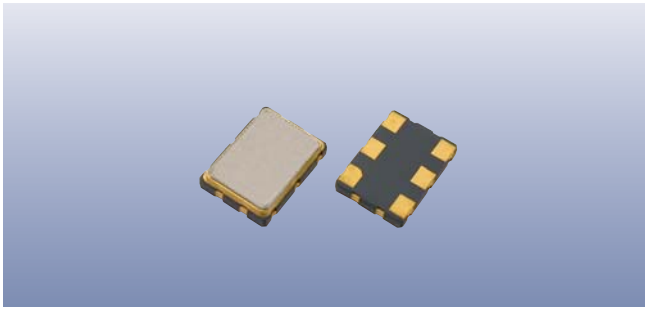
Other frequencies available. Please consult our sales office.

## Ordering Information

Product name + variant + option codes (if any) + frequency  
 eg: **GXO-E72L 108.0MHz** 3.3V, ±100ppm -10+70°C  
**GXO-E72J/BI 125.0MHz** 2.5V, ±50ppm -40+85°C  
 Option code X (eg GXO-E72L/X) denotes a custom spec.

## Enable / Disable Function

Input (pad 1)	Output 1 (pad 4)	Output 2 (pad 5)
Open '1' level ( $\geq 0.7V_{DD}$ ) '0' level ( $\leq 0.3V_{DD}$ )	Enabled Enabled High Impedance	Enabled Enabled High Impedance



## Construction

- ▬▬▬▬ **Ceramic body with gold-plated pads**
- ▬▬▬▬ **Metal lid, seam sealed**

## Composition



This product is lead-free, and is fully compliant with the RoHS directive 2002/95/EC



## Packaging & Handling

Production quantities supplied on T & R, 1k pcs per reel.  
Small quantities may be supplied on tape (no reel), or in bulk.



◆ Static sensitive product. Observe proper handling precautions

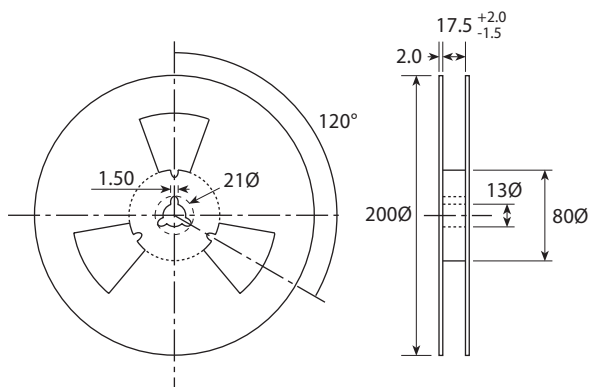
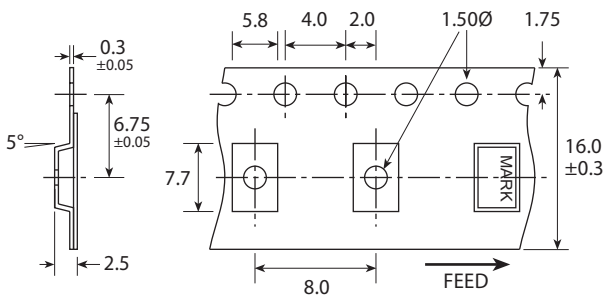
## Marking

GOLLEDGE  
FREQUENCY  
● PARTNO DC

- Pin 1
- Marking type: Laser
- DC = Date code in YM, eg "CE" = May 2003

	A	B	C	D	E	F	G	H	J	K	L	M
Y	1	2	3	4	5	6	7	8	9	0		
M	Jan	Feb	Mar	Apr	May	Jun	Jul	Aug	Sep	Oct	Nov	Dec

## Tape & Reel Specification



Not to scale. Dimensions in mm. Tolerances ±0.1mm unless otherwise stated

## Soldering Profile

